



Sun Controls

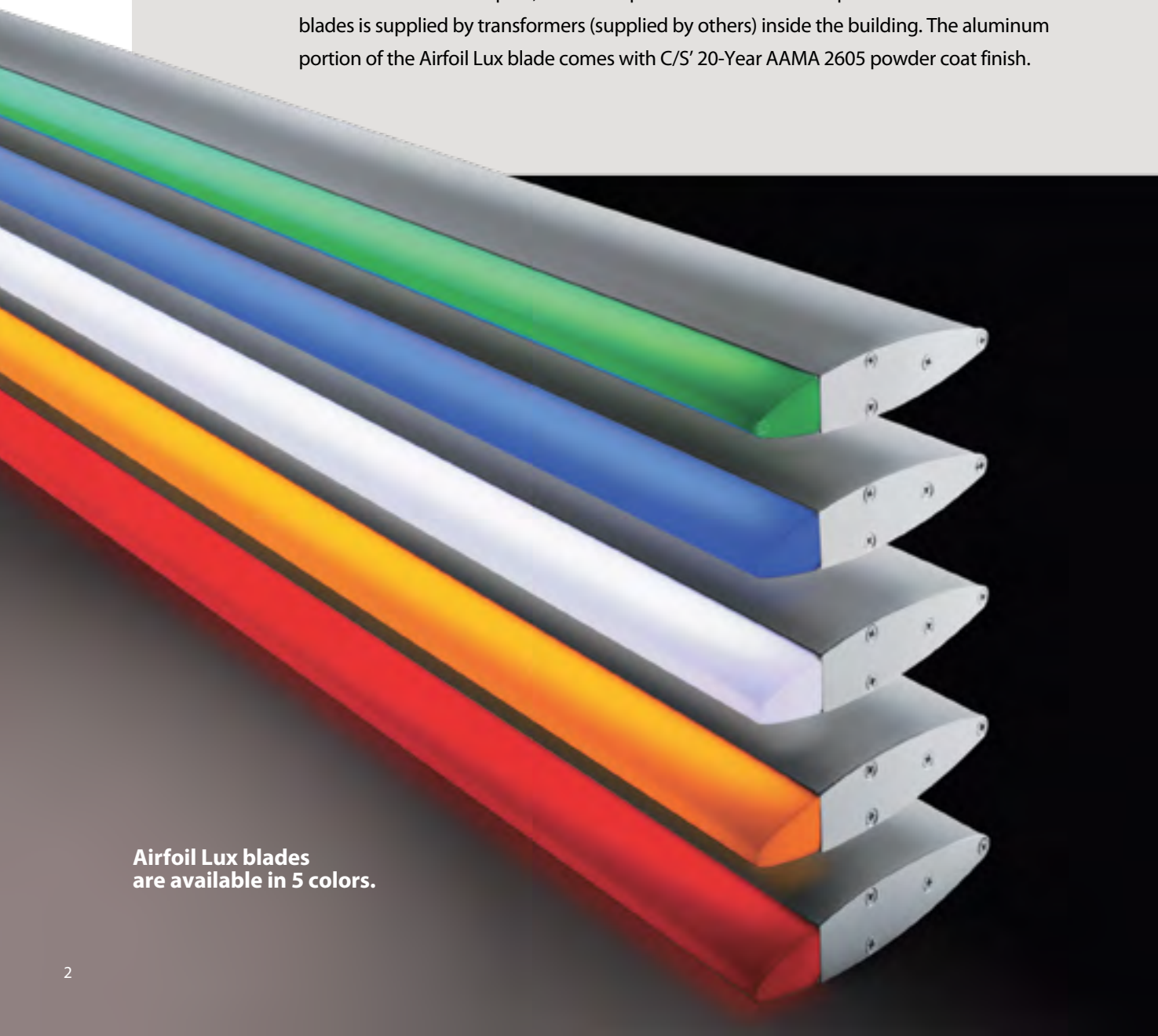
Fixed
Sunshades



Introducing Airfoil Lux

Keeps your building cool during the day, and looks even cooler at night.

Add drama to your building day or night with new Airfoil Lux Sunshades. Suitable for all climates, Airfoil Lux blades and fascias utilize energy efficient, weather-resistant LED lighting to **dramatically outline or illuminate your building during evening hours.** Available in 8" or 12" depths, Airfoil Lux provides 4.6 to 5.4 watts per foot. Power to the blades is supplied by transformers (supplied by others) inside the building. The aluminum portion of the Airfoil Lux blade comes with C/S' 20-Year AAMA 2605 powder coat finish.



Airfoil Lux blades are available in 5 colors.

Boeing's Everett Delivery Center
Everett, WA
Architect: DLR Group



C/S Sun Controls enhance your building's design while lowering its environmental impact. And they now meet LEED® v4.



C/S Sun Controls now meet LEED® v4

Since 1999, C/S has been creating products that lower a building's environmental impact. Recently, we've had our Sun Controls evaluated by the Cradle to Cradle multi-attribute program. MBDC's C2C Certification helps architects achieve two additional points in LEED® v4 for Material Ingredient Reporting and Material Ingredient Optimization.



Cradle to Cradle Certified™

C/S Cantilever, Suspended, Vertical and Horizontal Sunshades in an anodized or powder coat finish have been approved to carry the Cradle to Cradle Certified Silver Label*.

* Cradle to Cradle Certified™ is a certification mark licensed by the Cradle to Cradle Innovation Institute.

The aesthetic benefits of using C/S Sun Controls on a building are well established as are its benefits in reducing heat, glare and energy costs.



Increased occupant comfort

C/S Sun Controls enhance occupant comfort, increase worker productivity and improve educational performance.



Sun Controls without headaches

When you work with C/S early, we simplify the process from design through installation, including: developing architectural designs with structural integrity, code review, project management and signed and sealed drawings and engineering calculations.

LEED® Platinum
Project: G. Wayne Clough Learning Commons
Location: Atlanta, Georgia



LEED® Credits including v4 for C/S Sun Controls

- LEED® v4**

Materials + Sources Credit 4, Building Disclosure and Optimization - Material Ingredients **2 points**
- ENERGY & ATMOSPHERE**

12% improvement (in building performance beyond the ASHRAE baseline) **1 point**

24% improvement (in building performance beyond the ASHRAE baseline) **7 points**

36% improvement (in building performance beyond the ASHRAE baseline) **13 points**

48% improvement (in building performance beyond the ASHRAE baseline) **19 points**
- INDOOR ENVIRONMENTAL QUALITY**

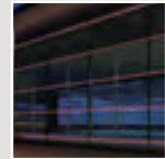
IEQ Credit 8.1
Daylight & Views: **Daylight 75% of Spaces**

IEQ Credit 8.2
Daylight & Views: **Daylight* 90% of Spaces**

*Achieve a minimum Daylight Factor of 2% (excluding all direct sunlight penetration) in 75% of all space occupied for critical visual tasks.

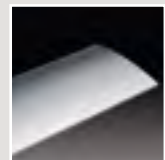
C/S offers many ways to control the sun.

Airfoil Lux Sunshades



Keep your building cool during the day and night with lighted airfoil blades.

Cascade™ Sunshades



Providing the same exceptional performance for east and west elevations, without visual impact.

Shadowline Sunshades



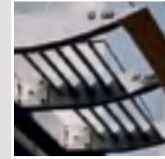
Choose your own components to create a custom visual statement on any project.

Perform Sunshades



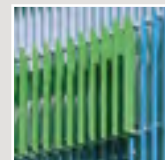
Offer stunning visual effects by allowing in soft dappled light, while providing effective sun control.

Cantilevered & Suspended Sunshades



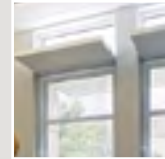
Effective sun control with a variety of blade, outrigger and fascia styles.

Vertical Fixed Sunshades



The most effective exterior sunshade for east and west elevations. Select from dozens of blades.

Lightshelves



Reduce energy costs by bringing daylight deeper into the building's interior. Call 800.631.7973.

New C/S Wood Grain Powder Coat Finish

*Introducing C/S Wood Grain Powder Coat Finishes—
the look of wood without the maintenance.*

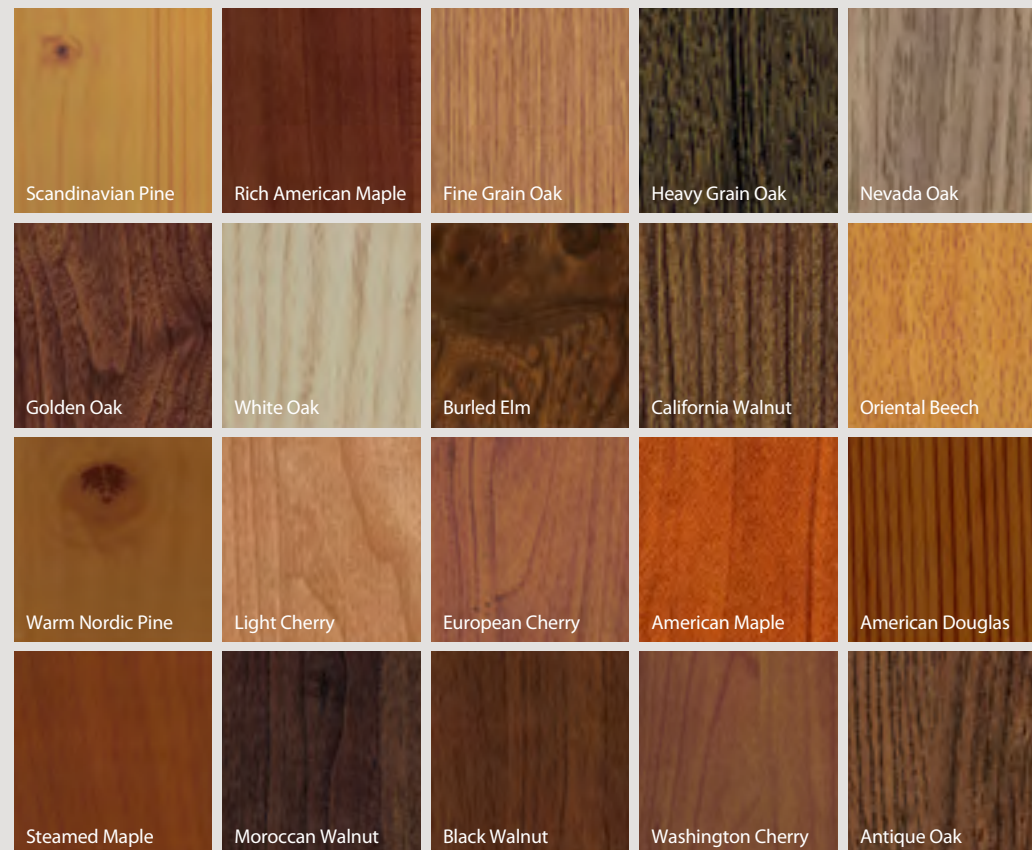
Construction Specialties has an exciting new finishing system that is decorative as well as functional. C/S Wood Grain Powder Coat Finish offers the realistic look of wood without destruction of trees or the costly time consuming maintenance required with real wood. In addition it will not deteriorate due to weather.

This attractive finish will look good for the long term. They are C/S Powder Coat protected; so they are durable, with superior scratch and fade resistance. C/S Wood Grain Powder Coat Finish can stand up to all types of weather conditions.

C/S Wood Grain Powder Coat Finish is an earth friendly product that eliminates the harsh environmental effects that come with liquid coatings.

Now that is something you can feel good about!

Available for all profiles in 20 standard wood grain patterns shown below and in a smooth or textured finish appropriate for interior and exterior use.



Due to limitations of the printing process, colors above may vary. When specifying, obtain color samples by calling your local sales representative.

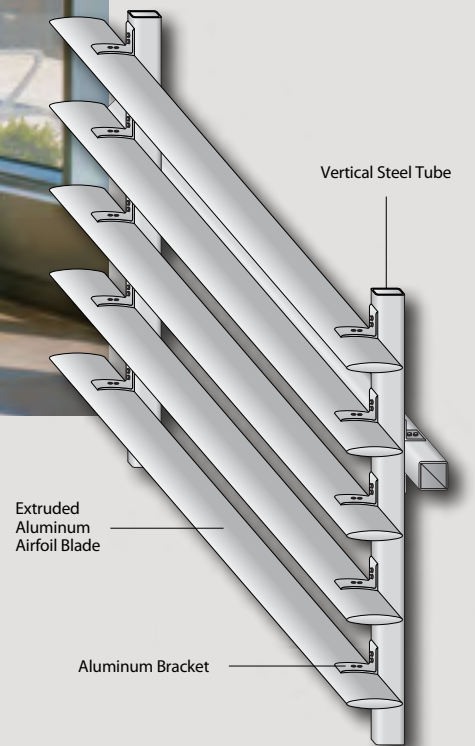
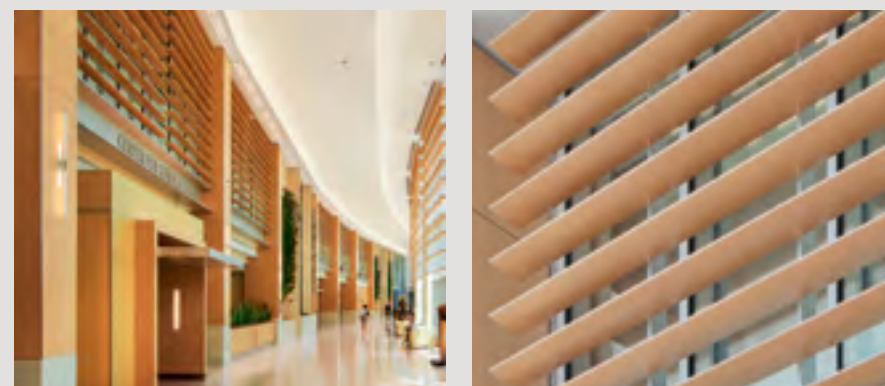


Project:
University Medical Center
of Princeton
Plainsboro, NJ

Architect:
HOK & RMJM Hillier

Sun Control Type:
Horizontal Interior
Wood Veneer Sunshades*

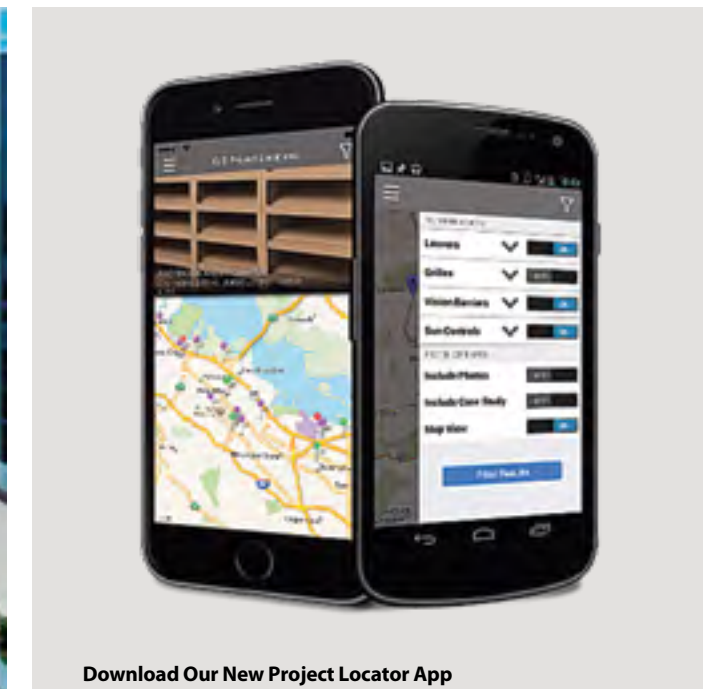
Project Description:
HOK and RMJM Hillier's design for the new Princeton Hospital required that natural light be facilitated through to 90% of the building. HOK asked C/S to provide "wood style blades" that could span distances without warping. C/S' manufactured custom wood veneer clad airfoil blades were used on the two interior walls of the main lobby.



* For more Wood Veneer options, please contact your local sales representative.

C/S Sun Control Projects

Get the energy reduction you need and the look you want with C/S Fixed Sunshades.



1 University of Hawaii Information Technology Center, Cantilevered Sunshades Architect: Ferraro, Choi and Associates

2 Mission College, Perforated Sunshades Architect: Lionakis

3 Foothill Transit, Vertical Airfoil Sunshades Architect: HMC Architects

4 Mediacom Headquarters, Cantilevered Sunshades Architect: Poskanzer Skott Architects

5 Antelope Valley College, Cantilevered Sunshades Architect: TBP/Architecture

Download Our New Project Locator App
Construction Specialties' Project Locator for Louvers, Grilles and Sunshades will serve as your pocket guide for details, specifications, directions, imagery and installation photos.

Download the app on the Apple App Store or the Google Play Store.



C/S Custom Sunshades

The striking and effective way to reduce energy costs.

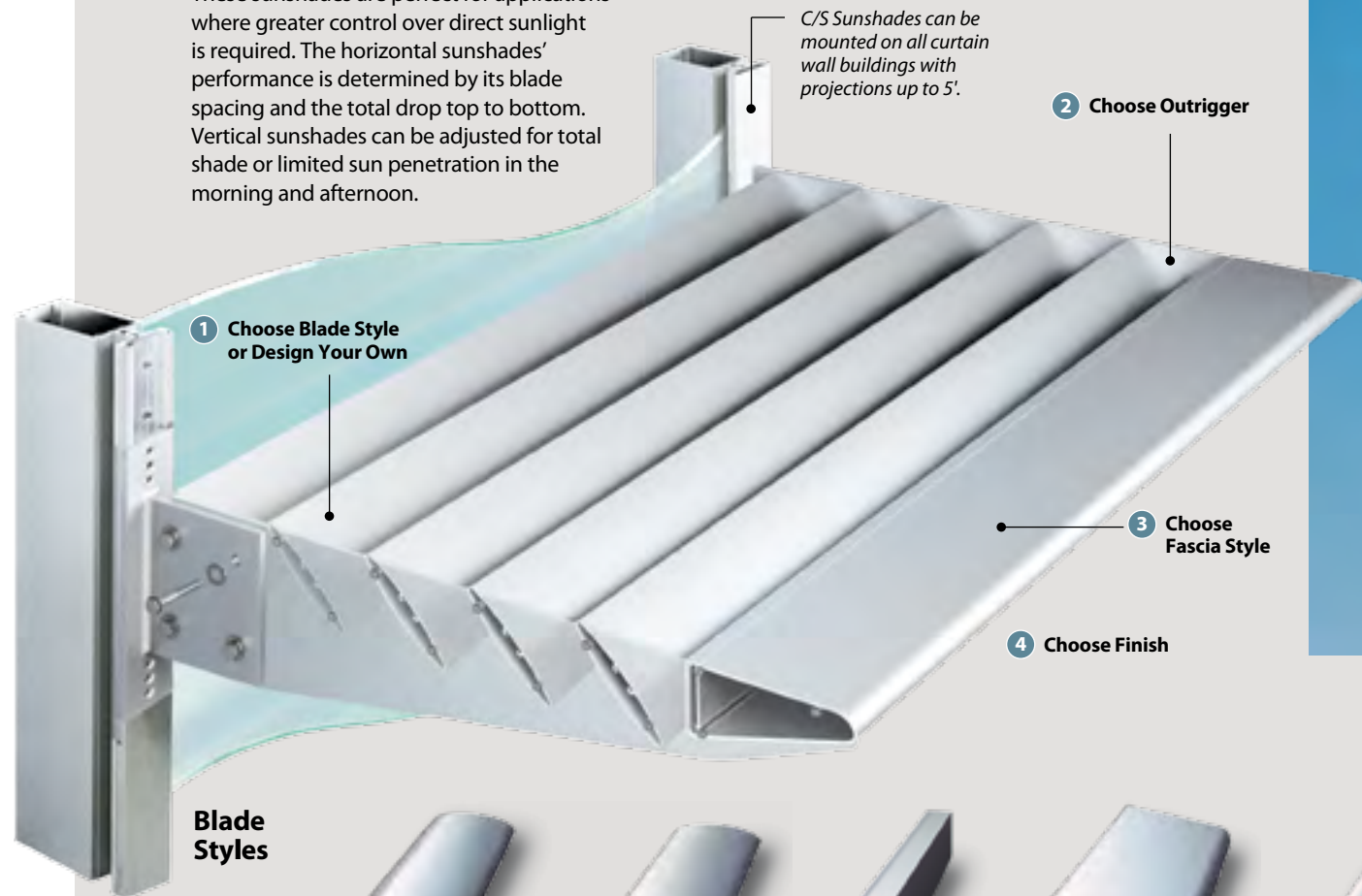
Cantilevered/Suspended Sunshades

Highly customizable, architects can select from a wide variety of blades, outriggers and fascias. The projections can be up to 5' deep to suit the project's shading requirements, and these sunshades can be used in conjunction with C/S Lightshelves.

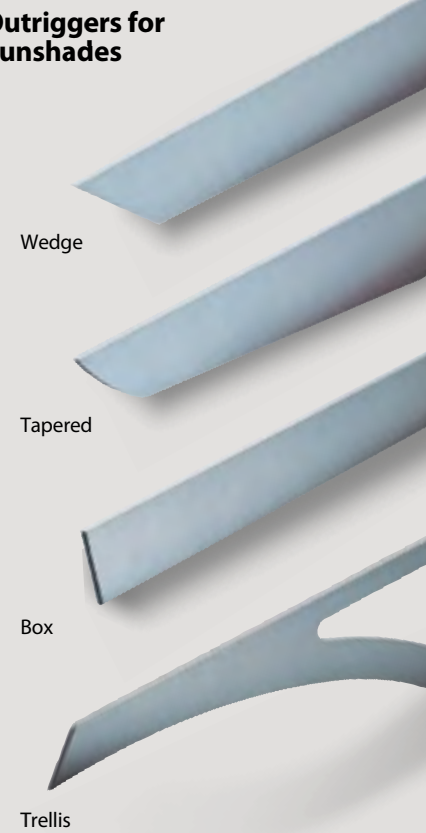
Vertical/Horizontal Sunshades

These sunshades are perfect for applications where greater control over direct sunlight is required. The horizontal sunshades' performance is determined by its blade spacing and the total drop top to bottom. Vertical sunshades can be adjusted for total shade or limited sun penetration in the morning and afternoon.

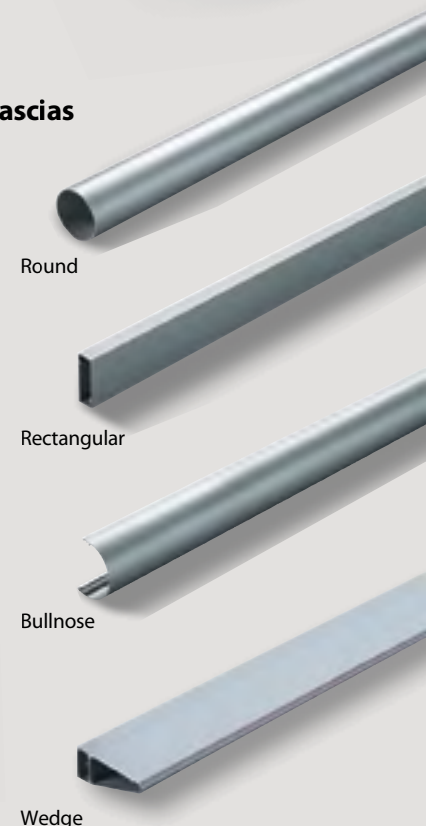
C/S Sunshades can be mounted on all curtain wall buildings with projections up to 5'.



Outriggers for Sunshades

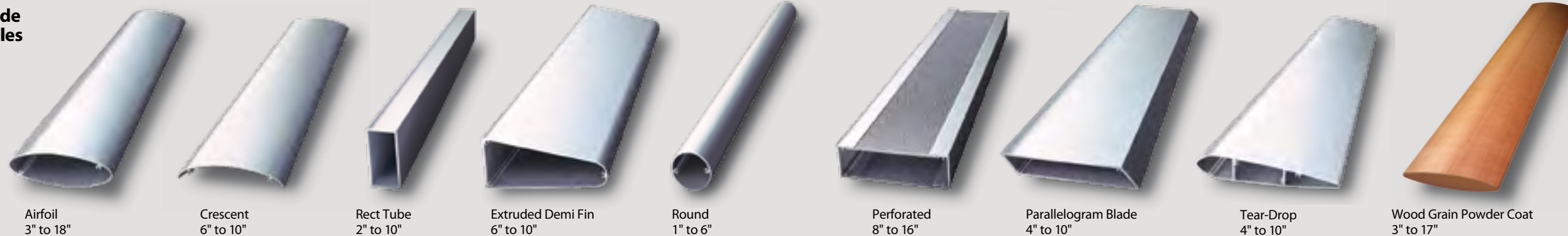


Fascias



Visit — www.c-sgroup.com/sun-controls — for comprehensive information about this product. Call for stock availability.

Blade Styles



C/S Cascade™ Sunshades

Fairleigh Dickinson University
Monninger Center, Madison, NJ

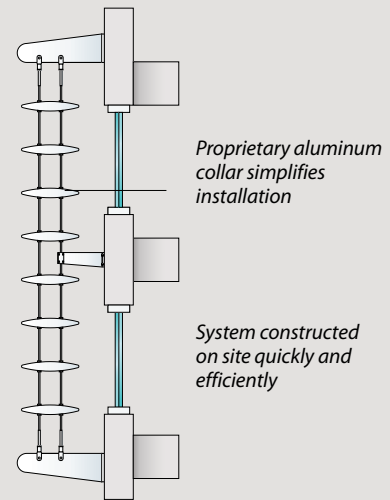
*Minimal visual impact,
exceptional performance.*

Introducing C/S Cascade™ Sunshades

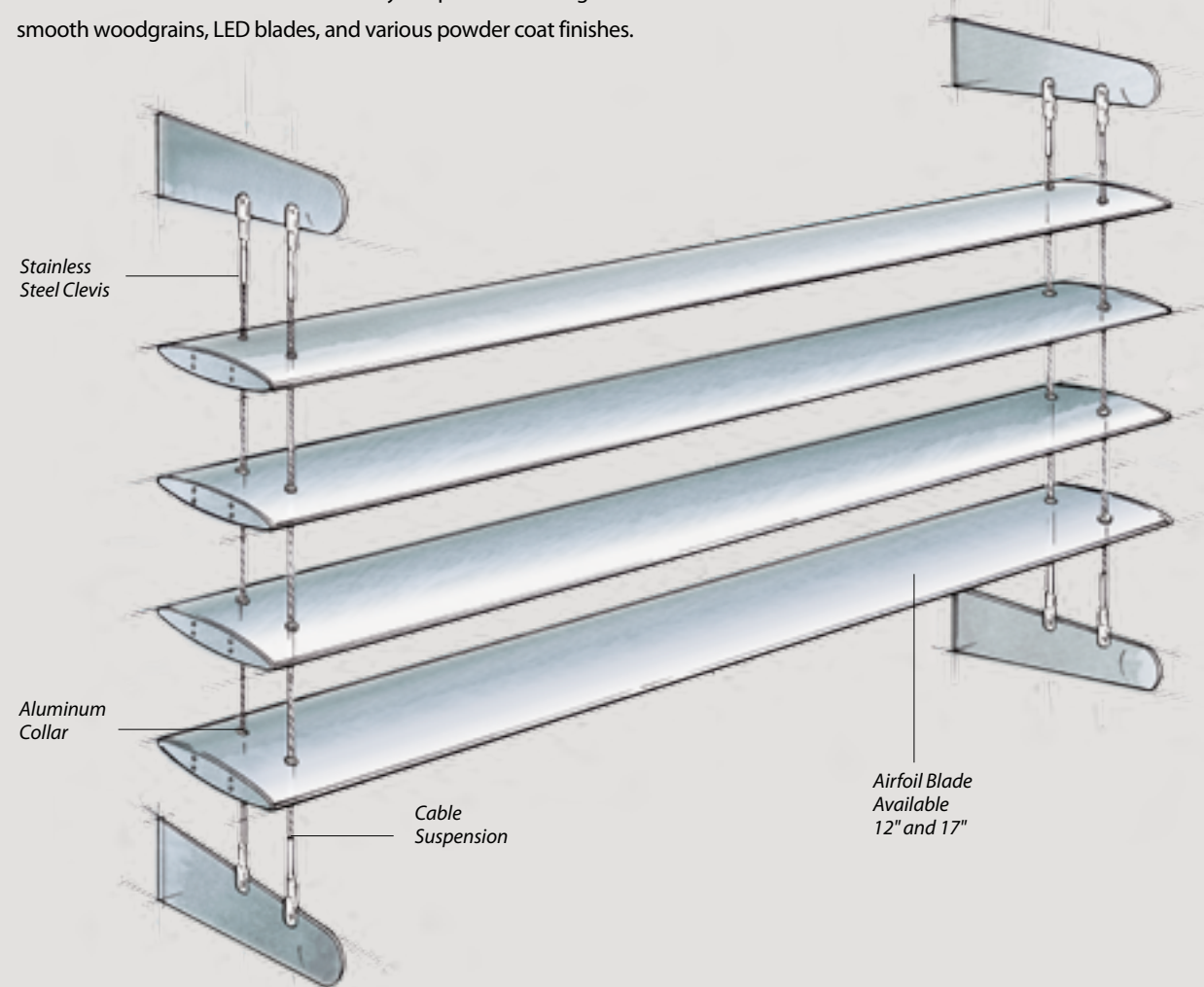
New C/S Cascade Sunshades give architects a new and exciting way to reduce solar heat glare. Providing the same performance C/S Sunshades are known for, Cascade Sunshades filter in natural light without obstructing views to the outside. C/S Cascade Sunshades unique, airy design utilizes stainless steel clevises and suspension cables to create a continuous line appearance across the entire span.

Dozens of Options

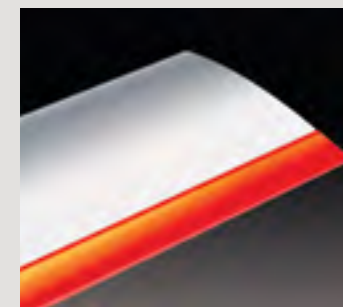
C/S Cascade Sunshades are custom made to meet any project need. Cascade's blades are available in a variety of options including textured or smooth woodgrains, LED blades, and various powder coat finishes.



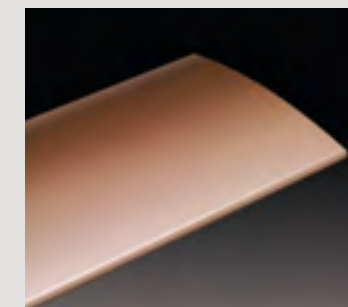
Cascade is a C/S Exclusive
This floating vertical system utilizes an aluminum collar to simplify installation.



20 Wood Grain Powder Coat Finishes



Airfoil Lux LED Blades



Color Powder Coat Finishes



Metallic Coat Finishes

C/S Shadowline Sunshades

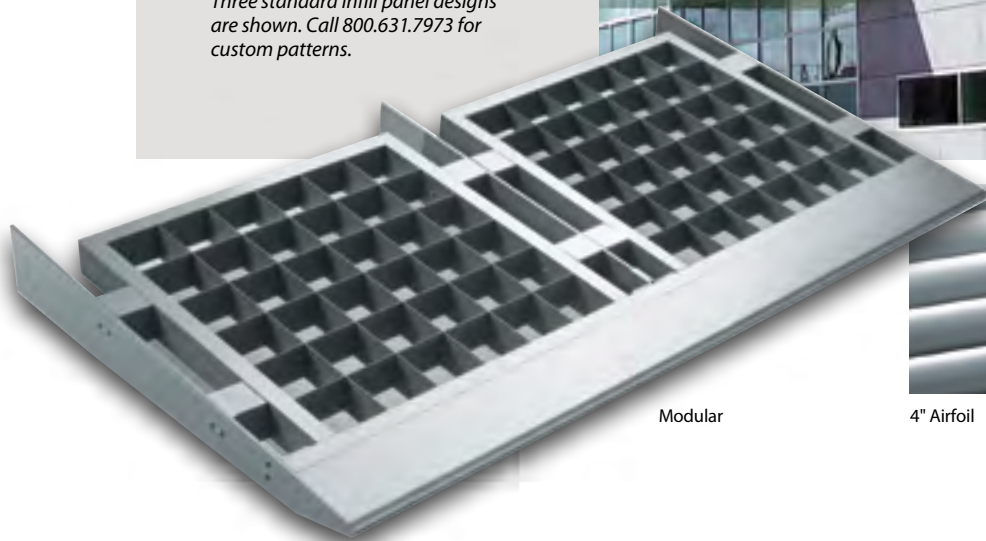
For comprehensive product information, visit www.c-sgroup.com/shadowline

C/S Shadowline Sunshades create a dramatic visual statement.

This system combines several standard C/S Grille/Sun Control components to create a custom appearance. **Designed for effective sun shading** with projections up to six feet, Shadowline Sunshades are perfect for use on curtain walls and standard construction. Select from a variety of infill patterns, fascia and outrigger styles.

Shadowline's open design reduces the mass of traditional sunshades, while still providing effective shading.

Three standard infill panel designs are shown. Call 800.631.7973 for custom patterns.



Modular



4" Airfoil



Lattice

All of our infill panels reduce heat and glare while providing filtered light. Choose from one of our three designs.

C/S Perform Sunshades

For comprehensive product information, visit www.c-sgroup.com/perform

Beautiful dappled light is the result. C/S Perform sunshades are the palette.

This sunshade system provides buildings with effective sun control, yet offers stunning visual effects by admitting soft dappled light. **Two styles, dozens of options.** C/S Perform curved and flat sunshades employ a slender custom designed tube support that mechanically captures our perforated sheet without the use of unsightly welding. The Perform system can be designed to meet any wind or snow load.

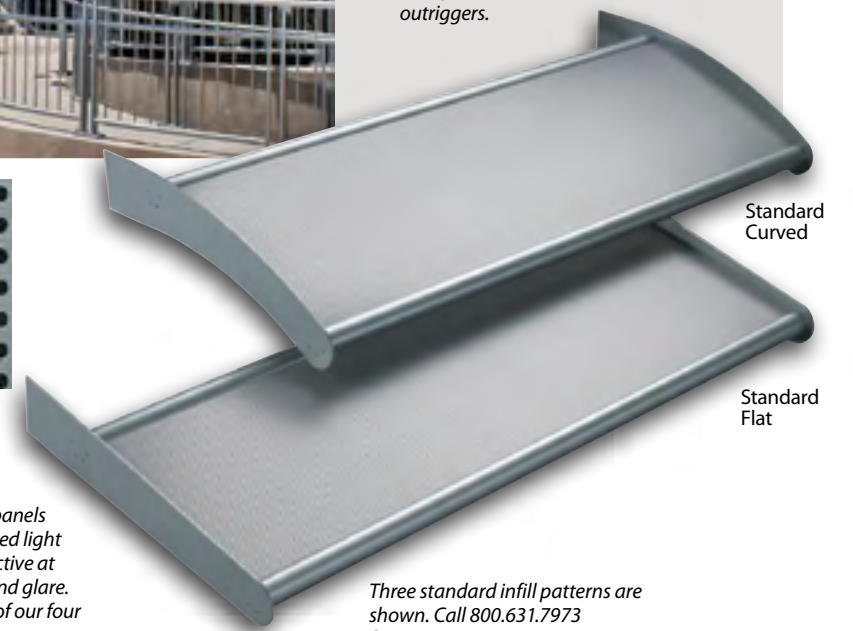
C/S Perform Sunshades can span 6' between outriggers.



Round Slots on Staggered Centers



Round Holes on Staggered Centers



Standard Curved

Standard Flat

C/S Perform infill panels provide soft dappled light yet are highly effective at controlling heat and glare. Choose from one of our four perforated designs.

Three standard infill patterns are shown. Call 800.631.7973 for custom patterns.

University Building with Horizontal Sunshades

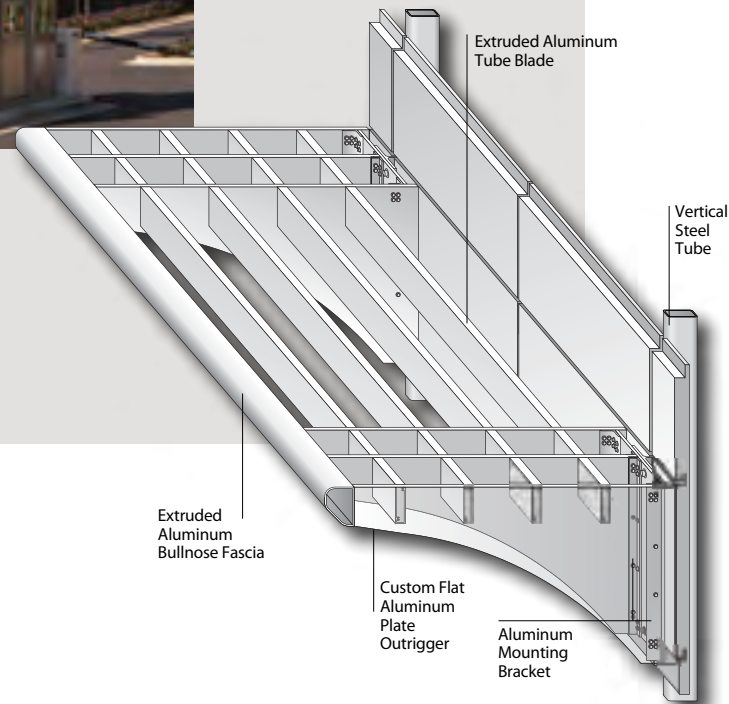
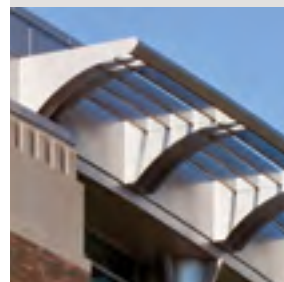


Project:
Marquette University
Milwaukee, WI

Architect:
Opus AE Group
in collaboration with
Shepley Bulfinch

Sun Control Type:
Cantilevered and
Vertical Sunshades

Project Description:
C/S Cantilevered Tubular
Sunshades were specified
on the east, west and north
elevations of the Marquette Law
School building. The radiused
Cantilevered Sunshades
integrate with the metal panel
system, while maintaining a
flush appearance. The blades
had to achieve spans in excess
of 11' with projections off of the
building structure of 6'.



Corporate Headquarters with Horizontal Sunshades

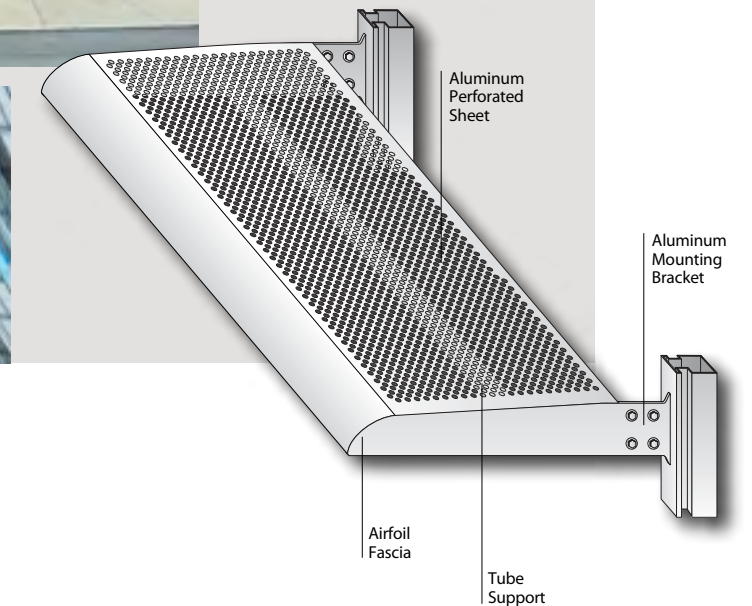


Project:
Amazon Headquarters
Seattle, WA

Architect:
LMN Architects

Sun Control Type:
Horizontal Perforated Sunshades

Project Description:
For the new Amazon
Headquarters, LMN Architects
specified C/S Sunshades to
effectively reduce the building's
energy usage for their LEED® Gold
project. The architect specified
a C/S Perform style perforated
sunshades and had C/S mount
6" airfoil blades to the front of
each unit. These C/S Perform
Sunshades allow for soft light to
filter through the perforations
and cast interesting shadows
onto the shaded windows.



University Building with Horizontal Sunshades



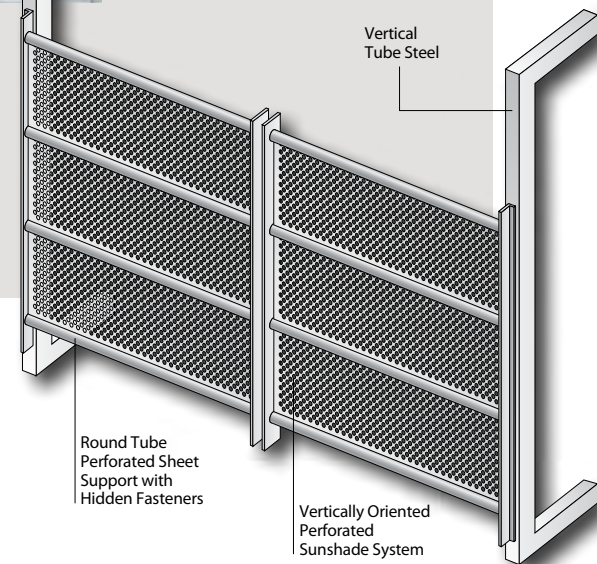
Project:
Florida Atlantic University
Boca Raton, FL

Architect:
LEO A DALY



Sun Control Type:
Horizontal and Vertical
Perforated Sunshades

Project Description:
For Florida Atlantic University's College of Engineering and Sciences, architect LEO A. DALY wanted to use perforated metal, to act as a sunscreen as well as being a design feature of the building. The architect specified C/S Perform Sunshades model 200-4 to provide optimum shading performance without obscuring the view to the outside. Working with the architect, C/S Sunshade experts supplied a full size mockup sample and several perforated patterns, from which a final design was then chosen to meet the architect's LEED® Platinum design requirement.



Commercial Building with Vertical Sunshades

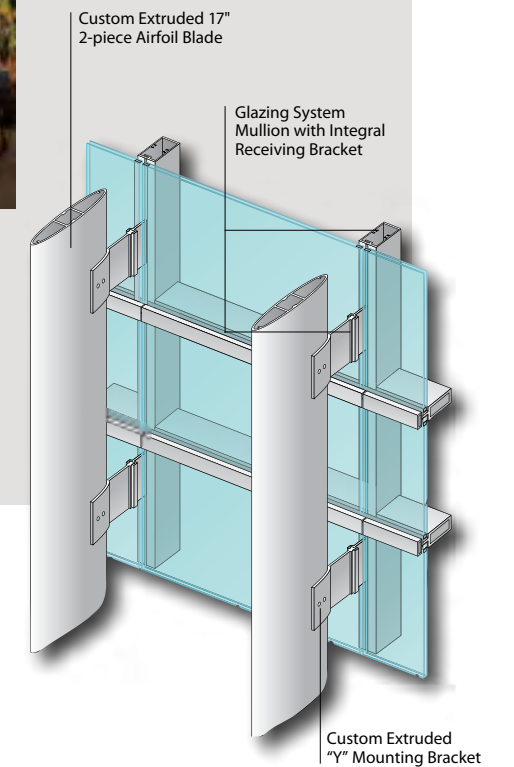


Project:
One Central Park East
Phoenix, AZ

Architect:
SmithGroupJJR

Sun Control Type:
Vertical Sunshades

Project Description:
On their 25-story curtain wall building, the architect employed two different shading systems for the eastern and southern elevations. 17" vertically oriented extruded airfoils run the entire height of the structure with each blade spanning a floor with four points of attachment. On the southern elevations, the same 17" airfoils run horizontally to provide shade during mid-day high sun angles.



University Building with Horizontal Sunshades

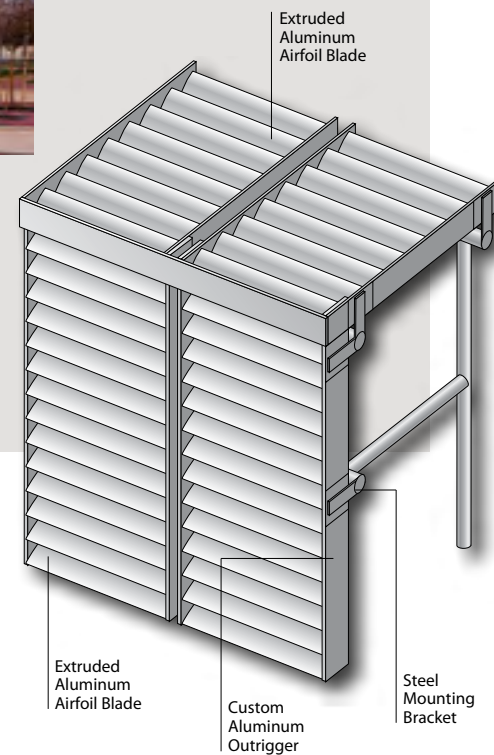
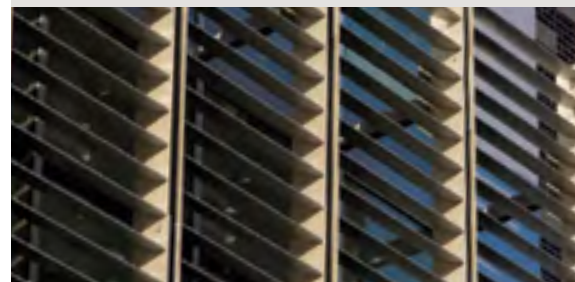


Project:
Houston Community College
Houston, TX

Architect:
HOK

Sun Control Type:
Horizontal Sunshades

Project Description:
C/S Fixed Horizontal Sunshades make a dramatic statement and significantly reduce the interior heat and glare at HCC in Houston, TX. HOK specified a custom horizontal "ladder type" airfoil sunshade to control the morning and afternoon sun that affects both the front and atrium portions of the building. The exposed mullions attached to the masonry walls are exaggerated to add drama to the sunshade design.



University Building with Vertical Sunshades

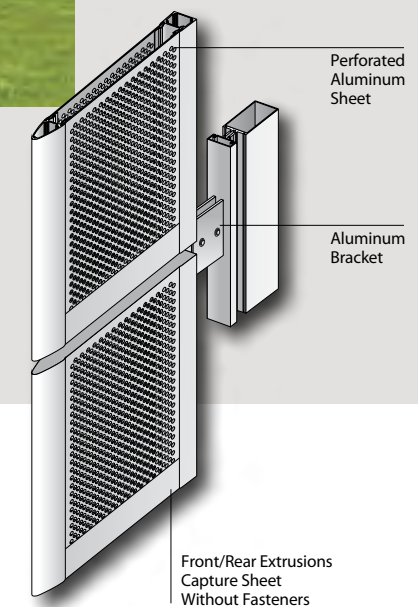


Project:
Peninsula College: Maier Hall
Port Angeles, WA

Architect:
Schacht Aslani Architects

Sun Control Type:
Horizontal and Vertical Perforated Sunshades

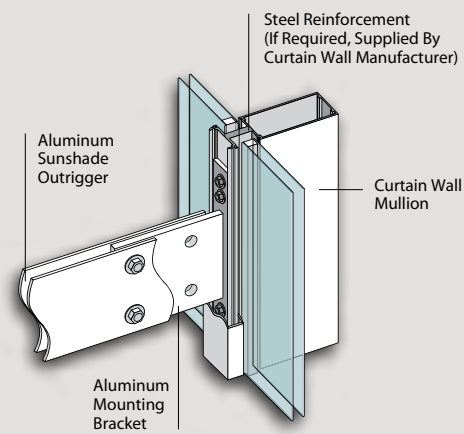
Project Description:
To minimize solar heat gain on multiple elevations, the architect specified horizontal shades on the east elevation and custom perforated vertical demi-fin blades that provide diffused light on the west elevation.



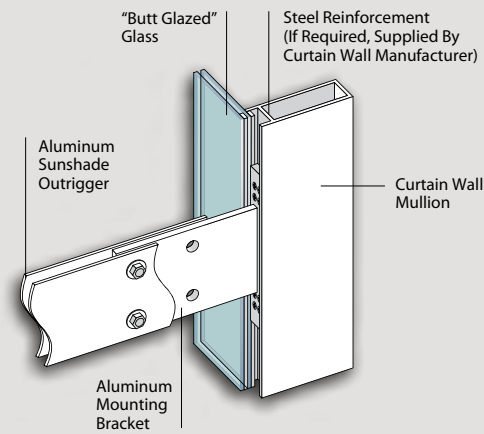
C/S Sun Controls Mounting Options

C/S Sunshades are mounted on all types of structures throughout the world. C/S Engineers will work with you to provide the proper attachment for any masonry structure or curtain wall system. Below are typical attachment details; for specific designs call 800.631.7973.

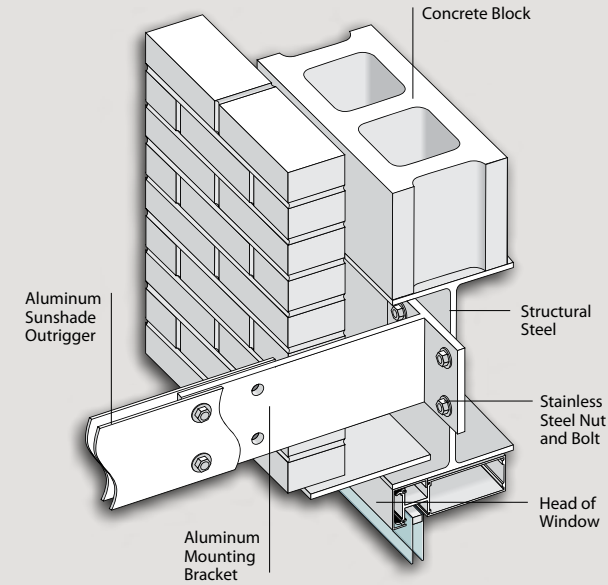
Curtain Wall Construction



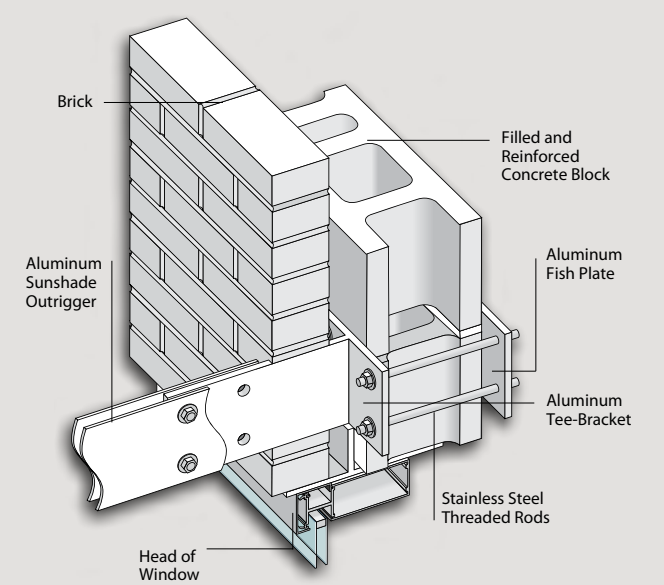
On Curtain Wall



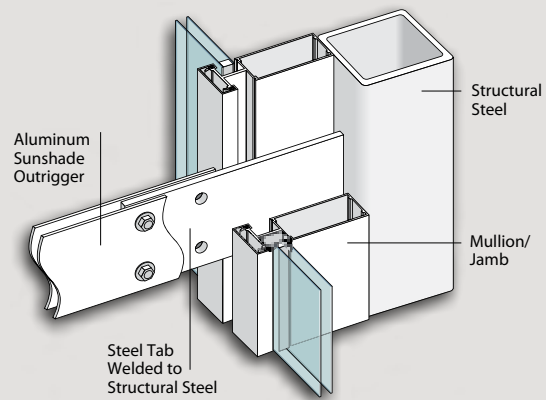
On Curtain Wall



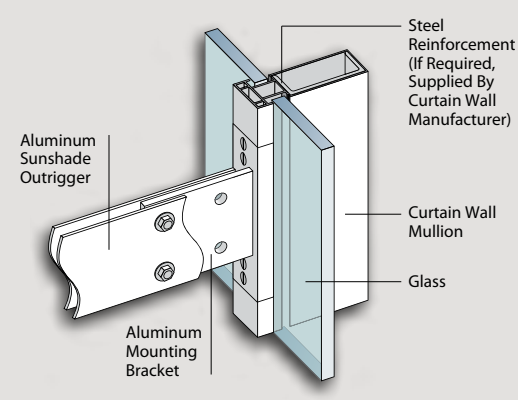
Bolted to Steel Behind Brick



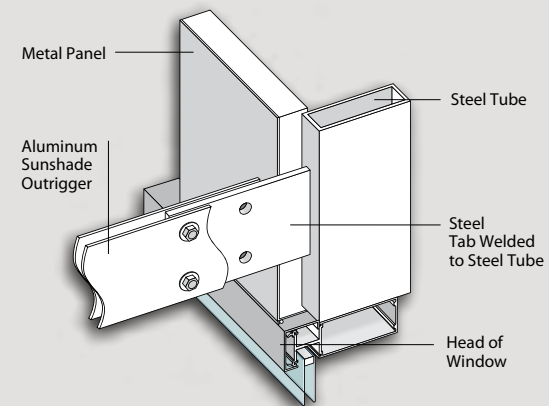
On Block, Behind Brick



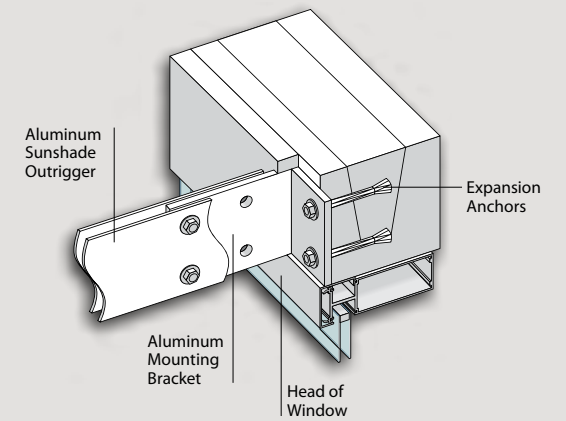
On Curtain Wall



On Curtain Wall



Steel Tab Welded to Steel Tube Behind Metal Panel



Bolted to Concrete Lintel



Construction Specialties™

49 Meeker Avenue, Cranford, New Jersey 07016 U.S.A., 908.272.5200

895 Lakefront Promenade, Mississauga, Ontario L5E 2C2 Canada, 905.274.3611

🌐 www.c-sgroup.com



The C/S Family of Products

For more than 60 years, Construction Specialties has been a leader in architectural specialty products, including: Acrobyn® Wall and Door Protection, Pedisystems® Entrance Flooring, Expansion Joint Covers, Cubicle Track and Curtains, Smoke and Explosion Venting Systems, Architectural Grilles, Architectural Louvers and Sun Controls.

We have operations throughout the world and can provide C/S products virtually anywhere. For a complete list of our international locations, visit www.c-sgroup.com.

For the nearest C/S representative, or literature and samples, call toll free 800.631.7379 in U.S.A. and 888.895.8955 in Canada, or visit www.c-sgroup.com

©Copyright 2015 Construction Specialties, Inc.

Construction Specialties, Inc. reserves the right to make design changes or to withdraw any design without notice. Printed in U.S.A. Series 16

